

High Power Directional Couplers (N Type)

The CMI-DD series of Directional Couplers is a tapered strip line design for indoor applications covering The wireless services from 800 to 2,200 MHz. Units couple off a defined fraction of signal with minimal reflections or loss. Each model is available with or without an internal 4th port termination.



Specifications:

Part Number	Frequency Range	Nominal Coupling	Coupling Accuracy (Max.)	Insertion Loss(Max.) dB	Mainline VSWR (Max.)	Coupling VSWR (Max.)	Directivity (Min.) dB	Power Handling W	Connectors
CMID-D01-20	0.7~1.1GHz	20dB±1dB	±0.5dB	0.4dB	1.2	1.2	20dB	100W	N-F
CMID-D01-30		30dB±1dB	±0.5dB	0.4dB	1.2	1.2	20dB	150W	N-F
CMID-D01-40		40dB±1dB	±0.5dB	0.4dB	1.2	1.2	20dB	150W	N-F
CMID-D01-50		50dB±1dB	±0.5dB	0.4dB	1.2	1.2	20dB	150W	N-F
CMID-D02-20	1.7-2.5GHz	20dB±1dB	±0.5dB	0.4dB	1.2	1.2	20dB	100W	N-F
CMID-D02-30		30dB±1dB	±0.5dB	0.4dB	1.2	1.2	20dB	150W	N-F
CMID-D02-40		40dB±1dB	±0.5dB	0.4dB	1.2	1.2	20dB	150W	N-F
CMID-D02-50		50dB±1dB	±0.5dB	0.4dB	1.2	1.2	20dB	150W	N-F

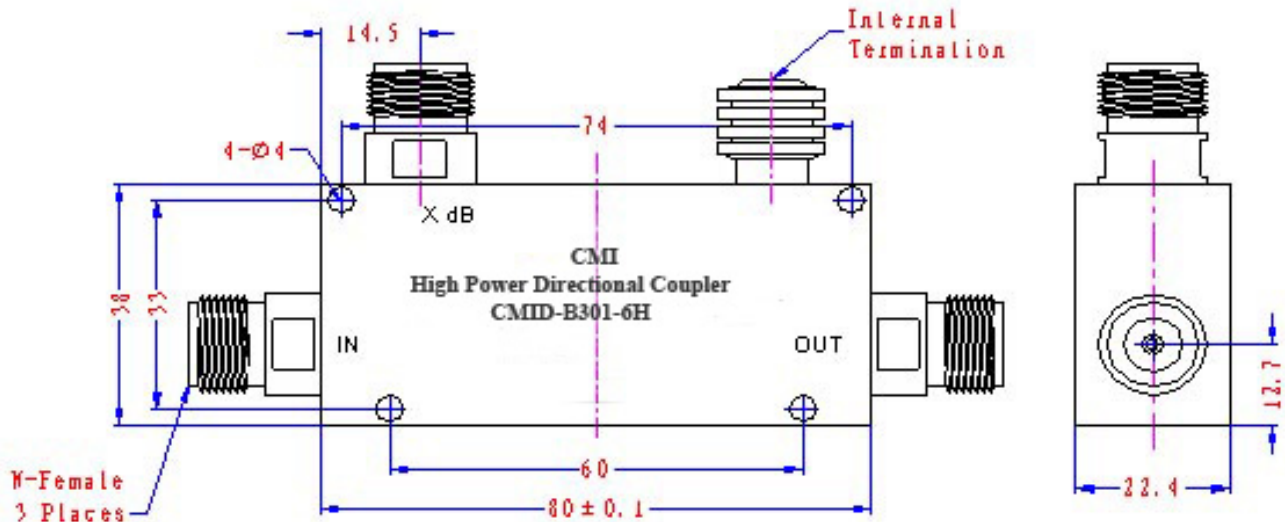
Note:

The Bandwidth can be 0.8~2.2GHz, the power handling ability can be higher to 500 Watts, Please contact the factory to discuss your requirements.

CALL OUR SALES DEPARTMENT FOR MORE INFORMATION OR VARIATIONS OF THIS PRODUCT.

Corry Micronics, Inc. One Plastics Rd. - Corry, PA 16407
(814) 664-7728 Fax (814) 664-4582 www.cormic.com

Corry Micronics Inc. herein referred to CMI, believes this information to be accurate, but makes no warranties, expressed or implied as to the accuracy of this document. CMI assumes no liability for any injury, loss, damage, direct or consequential arising from the use of our products. User assumes all risk whatsoever in connection with it's intended use. CMI also reserves the right to change this document without notice.



Specifications:

Part Number	Frequency Range	Nominal Coupling	Coupling Accuracy (Max.)	Insertion Loss (Max.) dB	Mainline VSWR (Max.)	Coupling VSWR (Max.)	Directivity (Min.) dB	Power Handling W	Connectors
CMIDC-B201-5	0.8~2.5GHz	5dB±1dB	±0.5dB	0.4dB	1.2	1.2	20dB	100W	N-F
CMIDC-B201-7		7dB±1dB	±0.5dB	0.4dB	1.2	1.2	20dB	150W	N-F
CMIDC-B201-10		10dB±1dB	±0.5dB	1.0dB	1.2	1.2	25dB	150W	N-F
CMIDC-B201-15		15dB±1dB	±0.5dB	0.6dB	1.2	1.2	30dB	150W	N-F
CMIDC-B201-20		20dB±1dB	±0.5dB	0.5dB	1.2	1.2	35dB	200W	N-F

Notes:

INSERTION LOSS (Excluding coupled power)

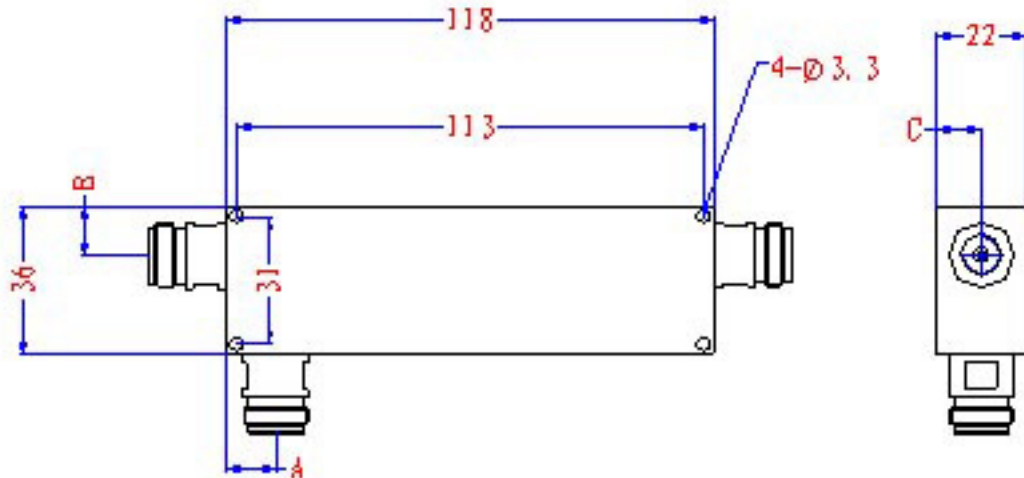
Given for reference only, a value which is the internal power dissipation of the device not including the power routed to other ports.

**All published specifications apply by using a matched designed test fixture with testing performed at 23°C. Tests include VSWR, insertion loss and isolation. All measurements are performed in a 50 ohm impedance test system.

CALL OUR SALES DEPARTMENT FOR MORE INFORMATION OR VARIATIONS OF THIS PRODUCT.

**Corry Micronics, Inc. One Plastics Rd. - Corry, PA 16407
(814) 664-7728 Fax (814) 664-4582 www.cormic.com**

Corry Micronics Inc. herein referred to CMI, believes this information to be accurate, but makes no warranties, expressed or implied as to the accuracy of this document. CMI assumes no liability for any injury, loss, damage, direct or consequential arising from the use of our products. User assumes all risk whatsoever in connection with it's intended use. CMI also reserves the right to change this document without notice.



PART #	A (unit: mm)	B (unit: mm)	C (unit: mm)
CMIDC-B201-5	12.2	12	11
CMIDC-B201-7	13.3	12	11
CMIDC-B201-10	12.7	12	11
CMIDC-B201-15	12.75	14	11.5
CMIDC-B201-20	12	12	11

CALL OUR SALES DEPARTMENT FOR MORE INFORMATION OR VARIATIONS OF THIS PRODUCT.

Corry Micronics, Inc. One Plastics Rd. - Corry, PA 16407
(814) 664-7728 Fax (814) 664-4582 www.cormic.com

Corry Micronics Inc. herein referred to CMI, believes this information to be accurate, but makes no warranties, expressed or implied as to the accuracy of this document. CMI assumes no liability for any injury, loss, damage, direct or consequential arising from the use of our products. User assumes all risk whatsoever in connection with it's intended use. CMI also reserves the right to change this document without notice.